

RIMCO' Wall-INS MEMS-Based INS

for small Attack Drone

The Wall-INS is designed for installation on small drones and connection to the autopilot via a RS-232 interface. It contains a three MEMS gyro, three MEMS accelerometer, barometer, magnetometer and microprocessor with embedded software. The Wall-INS has the ability to connect to an external CRPA with embedded GNSS Receiver.

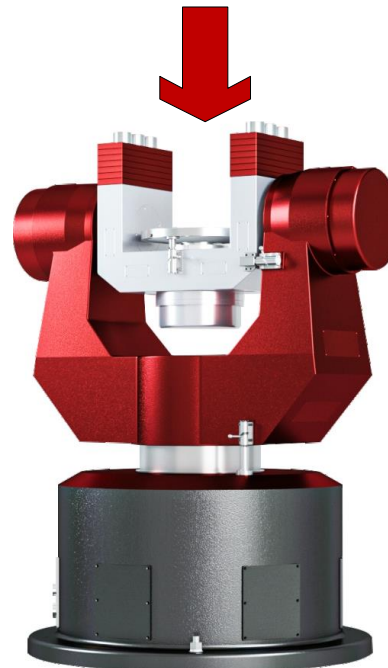
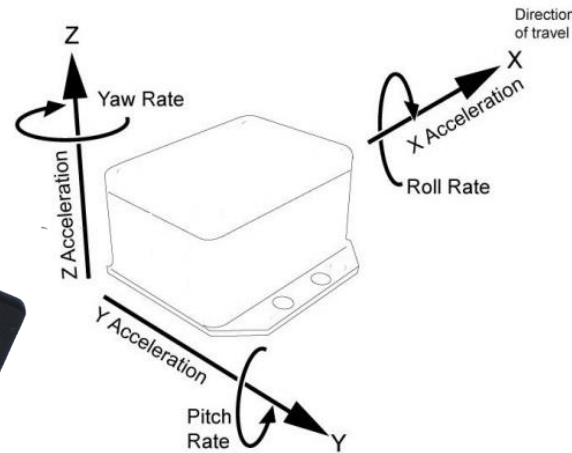
Minimum order from 5 pieces



The Wall-INS

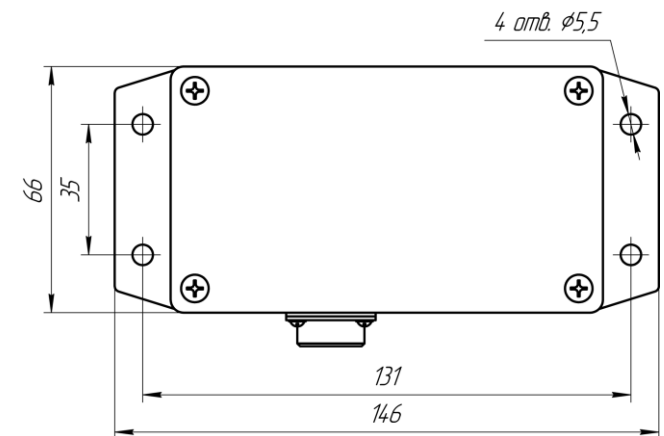
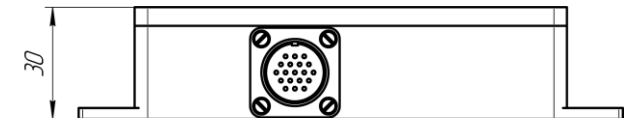
Specification

Dimensions: 146 x 66 x 30 mm
Weight: 90 g
Power Consumption: 1,5 W
Power Supply: 12 V DC
Connector: PC-19
MTBF: 15 000 h



Advantages

Wall-INS calibration and testing *
Does not contain Chinese chips
HW/SW Make in Russia
Light weight
Small size
Low price
ITAR Free



* The Wall-INS calibration and testing on a 2-axis stand of the "Acutronic" AC2247.03-TCM series